



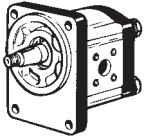
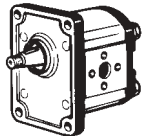
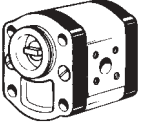
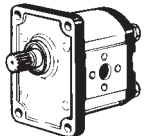
Programul de fabricație

U.M. Plopeni fabrică motoare cu roți dințate în două game de dimensiuni, desemnate prin numere: 2 și 3; diferite volume geometrice se obțin prin varierea lățimii roților dințate.



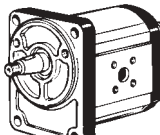
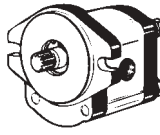
The production program

U.M. Plopeni manufactures two dimensional ranges of gear motors: 2 and 3. Different displacements can be achieved by using gears of different widths.

Size MRD2 Seria MRD2

	Displacement cm ³ /rev	Code type	
			
 pag. 153	4	MRD2-111D	MRD2-111S
	5.5	MRD2-112D	MRD2-112S
	8	MRD2-113D	MRD2-113S
	11	MRD2-114D	MRD2-114S
	16	MRD2-116D	MRD2-116S
	22.5	MRD2-118D	MRD2-118S
	26	MRD2-119D	MRD2-119S
 pag. 154	4	MRD2-211D	MRD2-211S
	5.5	MRD2-212D	MRD2-212S
	8	MRD2-213D	MRD2-213S
	11	MRD2-214D	MRD2-214S
	14	MRD2-215D	MRD2-215S
	16	MRD2-216D	MRD2-216S
	19	MRD2-217D	MRD2-217S
	22.5	MRD2-218D	MRD2-218S
 pag. 155	8	MRD2-613D	MRD2-613S
	11	MRD2-614D	MRD2-614S
	14	MRD2-615D	MRD2-615S
	16	MRD2-616D	MRD2-616S
	19	MRD2-617D	MRD2-617S
	22.5	MRD2-618D	MRD2-618S
	26	MRD2-619D	MRD2-619S
 pag. 156	4	MRD2-1411D	MRD2-1411S
	5.5	MRD2-1412D	MRD2-1412S
	8	MRD2-1413D	MRD2-1413S
	11	MRD2-1414D	MRD2-1414S
	14	MRD2-1415D	MRD2-1415S
	16	MRD2-1416D	MRD2-1416S
	19	MRD2-1417D	MRD2-1417S
	22.5	MRD2-1418D	MRD2-1418S
	26	MRD2-1419D	MRD2-1419S

Size MRD3 Seria MRD3

	Displacement cm ³ /rev	Code type	
			
 pag. 159	22.5	MRD3-111D	MRD3-111S
	28	MRD3-112D	MRD3-112S
	32	MRD3-113D	MRD3-113S
	38	MRD3-114D	MRD3-114S
	45	MRD3-115D	MRD3-115S
 pag. 160	22.5	MRD3-511D/I	MRD3-511S/I
	28	MRD3-512D/I	MRD3-512S/I
	32	MRD3-513D/I	MRD3-513S/I
	38	MRD3-514D/I	MRD3-514S/I
	45	MRD3-515D/I	MRD3-515S/I
	56	MRD3-516D/I	MRD3-516S/I
	63	MRD3-517D/I	MRD3-517S/I
	70	MRD3-518D/I	MRD3-518S/I